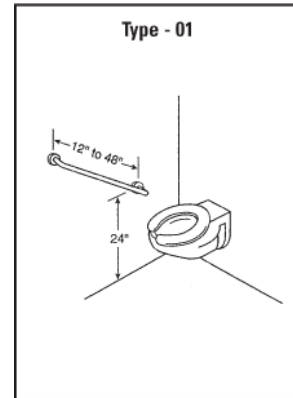




SS Paper Towel Dispenser
ID: 10- 0210



Hand Dryer
ID: 10-0185



Grab Bar
A-24"
10-3101-24



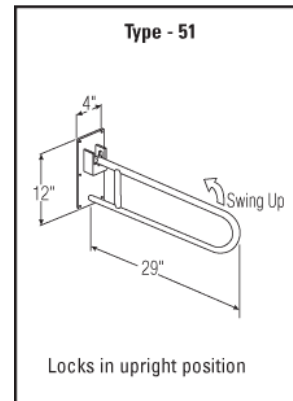
SS Paper Towel Dispenser
ID: ASI 0215



Toilet Paper Holder:
1 roll
ID: ASI 0705-Z



Surface mounted roll toilet tissue dispenser
ID: 10-0042



Grab Bar
Swing
10-3454-25



Soap Dispenser- 6"spout
20o
ID: 10-0332-CD



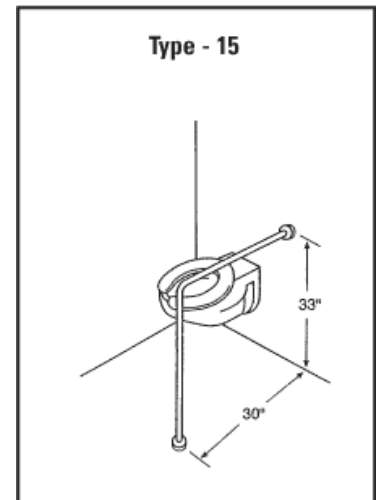
Toilet Paper Dispenser
rec
ID: 10-0031



Liquid Soap Dispenser
Vertical /Horizontal
ID: 10-0347 / 10-0345



Surface mounted baby changing station
ID: 9012



Grab Bar for
Handicap,
wallto floor
10-3815-S



Towel pin_satin
ID: 10-7301-S



Soap dish_Satin
10-7320-S



Towel ring_Satin
ID: 10-7385-S



Mirror 16*20
Adjustable Tilt
Mirror

Note: To Add 10%Vat on Total account



Folding
Seat
padded
8204