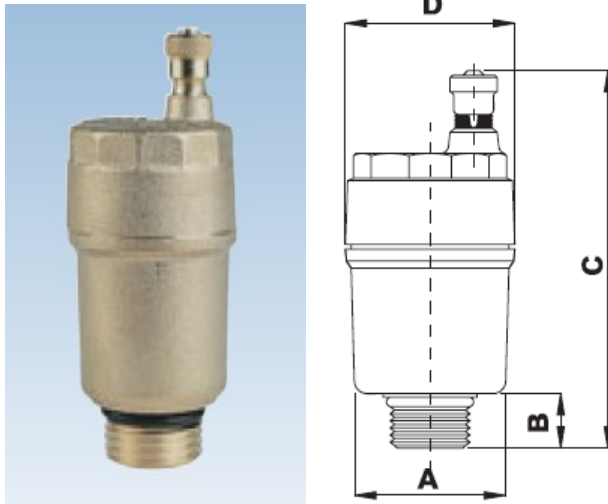


Automatic Air Vent Brass Type Model 2161C – Made by Watts



Function:

-Discharging air from heating and air-conditioning systems.

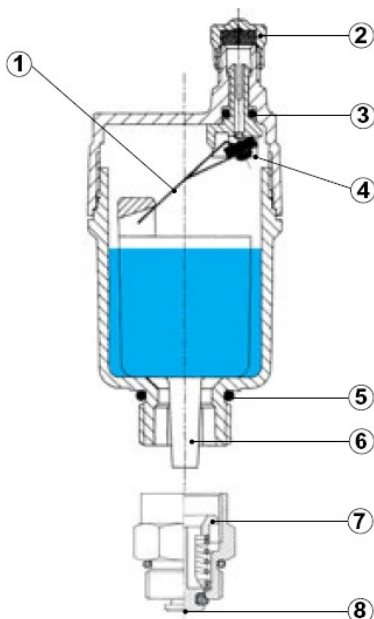
Operating conditions:

-Max. operating temperature : 115 °C
-Min pressure : 0.1 bar
-Max pressure : 10 bar
-Usable liquids : Water also with glycol ≤ 50%

Features:

-Automatic vertical air vent valve based on a float system
-Body : Brass CW617N
-Float : Stabilized polypropylene
-O-Ring : EPDM
-Plug : Silicone rubber
-Control mechanism : Stainless steel
-O-Ring sealing : EPDM
-Retaining spring : Stainless steel
-Retaining plug : Glass fiber reinforced polyamide

Type	Part Nb.	Size Body	Overall Dimensions (mm)				Weight (g)
			A	B	C	D	
2161C	2161C12	½"	30	10	77	36	150
2161C	2161C34	¾"	32	12	79	36	160
2161C	2161C1	1"	37	12	79	36	170



Parts list:

- 1) Air venting control mechanism
- 2) Safety cap
- 3) Vent O-ring
- 4) Plug
- 5) Sealed with O-ring
- 6) Jet breaker
- 7) Retaining device
- 8) Retaining plug